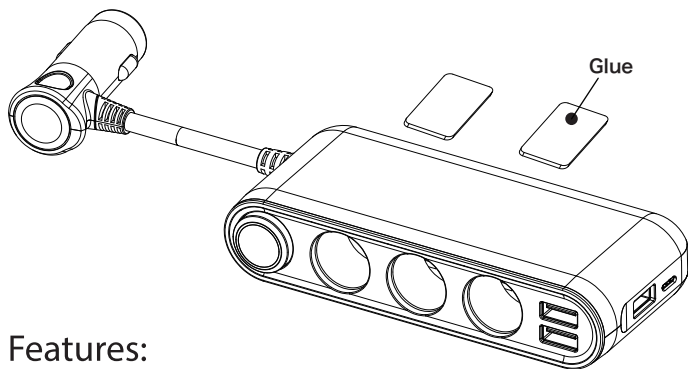


# EUGIZMO PD 20W type-C port+ 18W QC3.0 +2X2.4A +USB port car charger with 3 socket



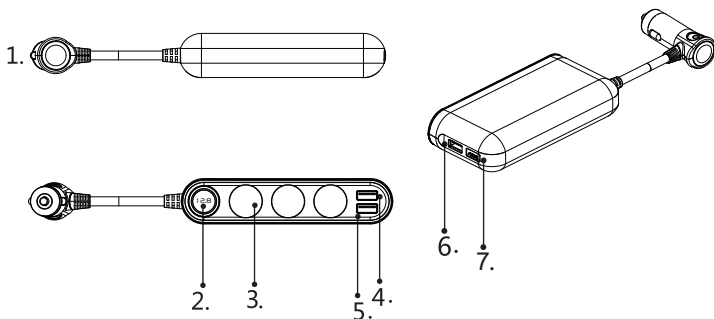
## Features:

- Smart IC for auto voltage detection
- Type-C port and 1-QC 3.0 USB port and 2X2.4A USB port
- 3-port Full-function car socket
- Max 9.6A high capacity ampere for fast charging
- Easy On/Off switch control with LED indicator
- Voltage display from 9V-30V, Voltage warning flash-display under  $10.5\pm 0.4$
- 0.7-meter car charging cable
- Car charger rubber grip for stable charging contact Stain-resistant surface
- Over voltage and over current safety protection
- Two adhesive sticker to fix the base where you want

## Specifications:

- Input:DC 12~24V
- Output: 5V 6.2A MXA
- PD type-c port Output: 5V/3A, 9V/2.22A, 12V/1.67A
- QC3.0 USB port Output: 5V/3A, 9V/2A, 12V/1.5A
- Remark: When charging QC 3.0 port and Type-C port simultaneously, it will be 4.8A max total
- 2X2.4A USB port Output: 5V/2.4A
- Remark: When charging dual 2.4A port simultaneously, it will be 3.1A max total.
- Car socket output: 12V: TYP:108W; MAX:120W  
24V: TYP:200W; MAX:240W
- Socket output: DC 12~24V  
Safety fuse: 10A

## Product Parts



1.Car Cigarette Lighter

2.On/Off Power Switch with LED Voltage Display

3.Car Lighter Socket

4.2.4A USB Port: 5V/2.4A

5.2.4A USB Port: 5V/2.4A

6.QC3.0 Quick Charger USB Port: 5V/3A , 9V/2A , 12V/1.5A

7. PD type-c port Output: 5V/3A, 9V/2.22A, 12V/1.67A

Remark: When charging QC 3.0 port and Type-C port simultaneously,  
it will be 4.8A max total

When charging dual 2.4A port simultaneously, it will be 3.1A max total.

### Installation:

- 1)Simply plug the DC plug into the DC socket (cigarette lighter) of your car
- 2)Make sure it is fully and securely inserted
- 3)Two adhesive sticker to fix the base where you want

### How to charge your USB mobile device

- 1)Start the car
- 2)Make sure the DC plug is fully inserted into your car's DC socket(cigargtte lighter)
- 3)Plug one end of your original USB cable into the any USB power,and the other end into your mobile device.
- 4)Turn on the switch
- 5)Charging should begin automatically.
- 6)If more USB ports needed, put any car charger adapter with USB port(s) into the any of the 3 sockets,and then repeats the process.

**Note: Pls turn off the switch after you leave the car for power-saving.**