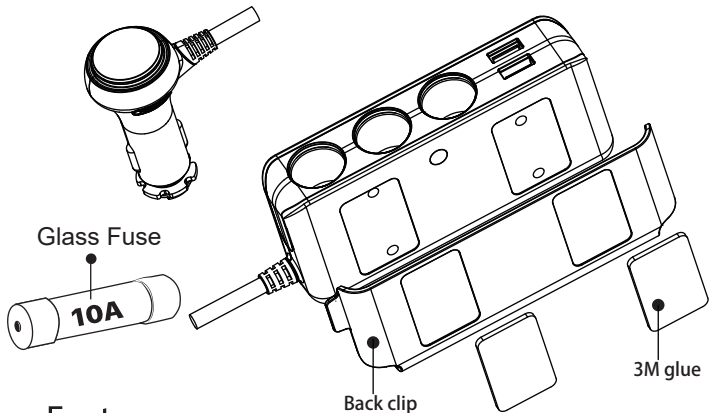


Car Charger with 3 Socket and 4 USB Port



Features:

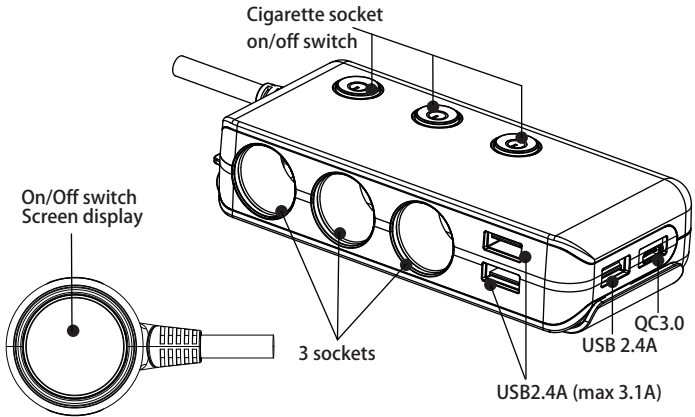
- Smart IC for auto voltage detection
- 4-port USB for simultaneous charging
- 3-port Full-function car socket
- Max 8.5A high capacity ampere for fast charging
- Easy On/Off switch control with LED indicator
- Voltage display from 9V-30V, Voltage warning flash-display under 10.5 ± 0.4
- 1-meter car charging cable
- Car charger rubber grip for stable charging contact
- Stain-resistant surface
- Over voltage and over current safety protection
- Two adhesive sticker to fix the base where you want or leave the clip in the car and take out the charger from the clip

Specifications:

- Input: DC 12~24V
- USB output: 5V, 7.8A total (max 8.5A total)
5V/2.4A+2.4A(2 USB Shared ,max 3.1A)
- QC3.0 output:3.6-6.5V/3A, 6.5-9V/2A, 9-12V/1.5A
- Socket output: DC 12~24V
- Power: 120W (max)
- Safety fuse: 10A

Charging function:

- 1)When you charging QC 3.0 output:3.6-6.5V/3A, 6.5-9V/2A, 9-12V/1.5A(18W max)
- 2)For 3 sockets+4USB, Power 120W (max)



Installation:

- 1)Simply plug the DC plug into the DC socket (cigarette lighter) of your car
- 2)Make sure it is fully and securely inserted
- 3)Two adhesive sticker to fix the base where you want

How to charge your USB mobile device

- 1)Start the car
- 2)Make sure the DC plug is fully inserted into your car' s DC socket(cigargtte lighter)
- 3)Plug one end of your original USB cable into the any USB power,and the other end into your mobile device.
- 4)Turn on the switch
- 5)Charging should begin automatically.
- 6)If more USB ports needed, put any car charger adapter with USB port(s) into the any of the 3 sockets,and then repeats the process.

Note:Pls turn off the switch after you leave the car for power-saving.